



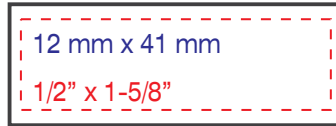
# FastLight Pre-inked Stamps Size Chart # 0-10

Updated:  
January, 2008



Note: Actual useable area (dotted red border) may be +/- 1 mm (+/- about 3/64") due to slight variations during manufacture such as being off-center or cut slightly short or long. The metric (**mm**) sizes are more accurate; inch sizes are rounded to nearest 1/8th inch.

## FL0

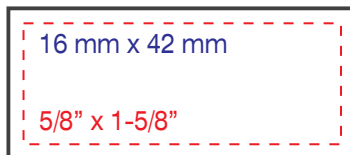


FL0 is **New for 2008**.  
3 New Round sizes are  
on page 3. 9 new  
sizes on page 4.

## FL2



## FL1



## FL4



## FL3



## FL6



## FL5



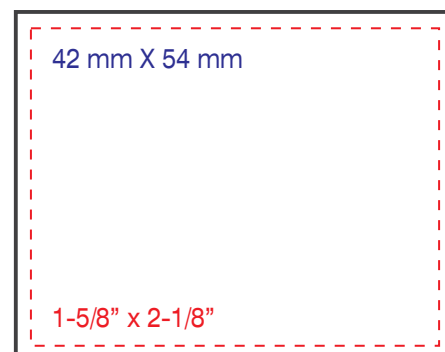
## FL9



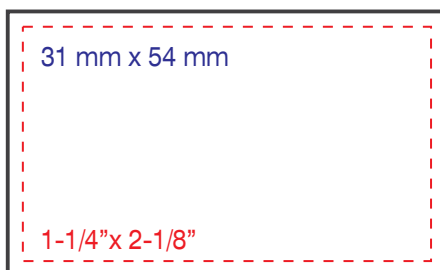
## FL7



## FL10



## FL8





# FastLight Pre-inked Stamps

## Size Chart # 11-16

Updated:  
January, 2008

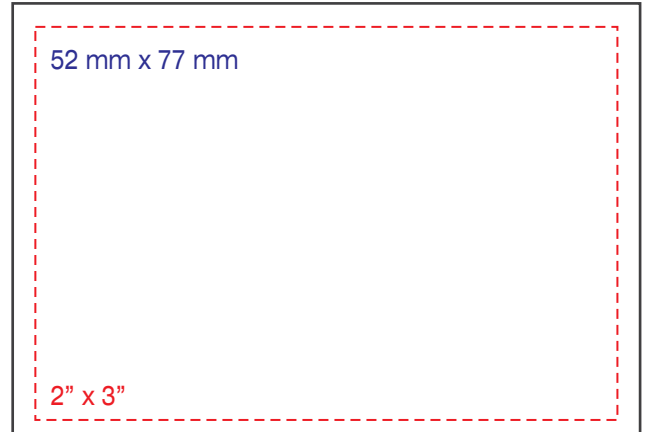


Note: Actual useable area (dotted red border) may be +/- 1 mm (+/- about 3/64") due to slight variations during manufacture such as being off-center or cut slightly short or long. The metric (**mm**) sizes are more accurate; inch sizes are rounded to nearest 1/8th inch.

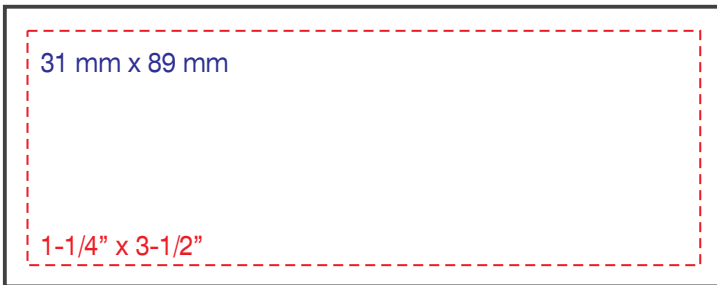
**FL-13**



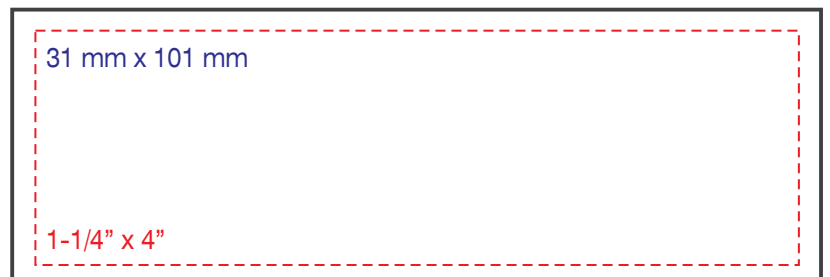
**FL-12**



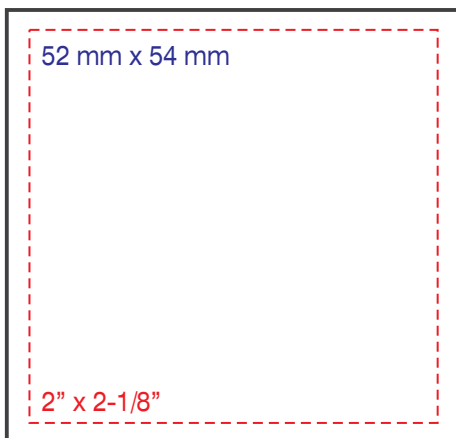
**FL-14**



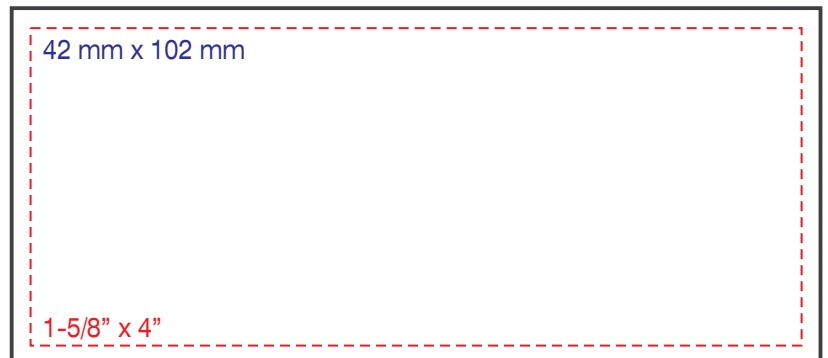
**FL-15**



**FL-11**



**FL-16**





# FastLight Pre-inked Stamps

## Size Chart # 17-24

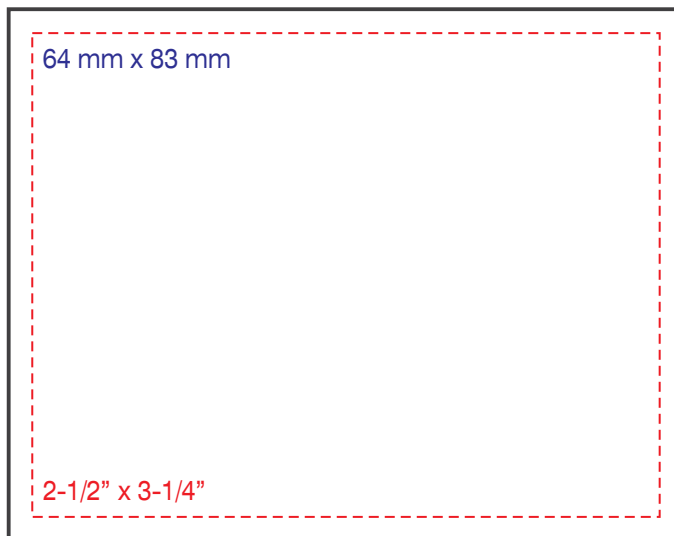
Updated:  
January, 2008



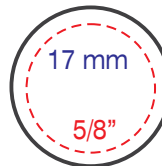
Note: Actual useable area (dotted red border) may be +/- 1 mm (+/- about 3/64").  
The metric (**mm**) sizes are more accurate; inch sizes are rounded to nearest 1/8th inch.

Round mounts FL-20, FL-23, and FL-24 are new for 2008.

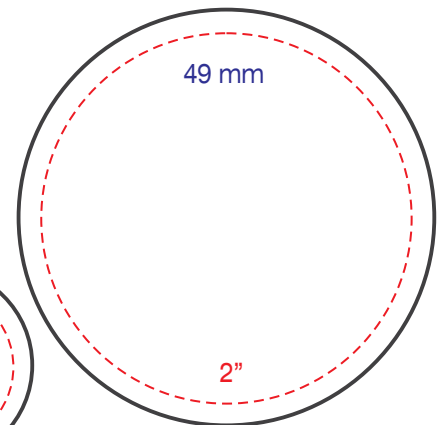
**FL-17**



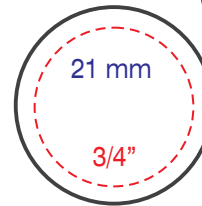
**FL-20**



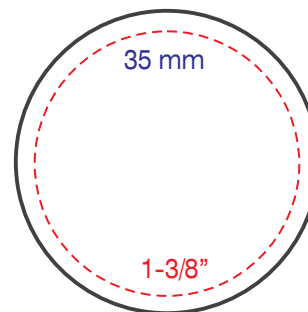
**FL-22**



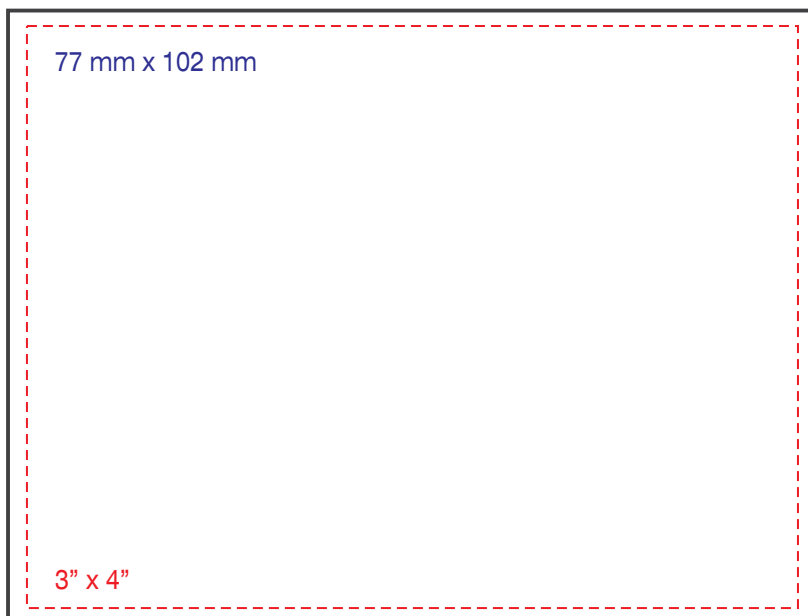
**FL-21**



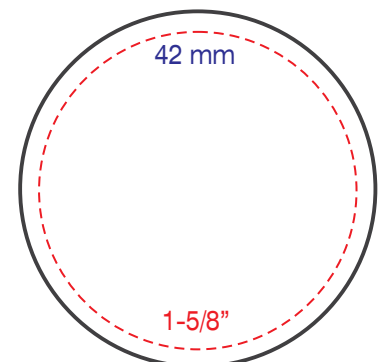
**FL-23**



**FL-18**



**FL-24**





# FastLight Pre-inked Stamps

## Size Chart # 27-35

Updated:  
January, 2008

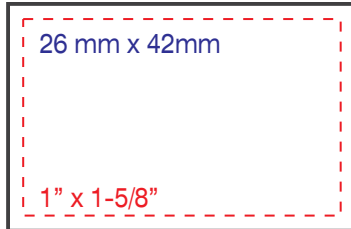


Note: Actual useable area (dotted red border) may be +/- 1mm (+/- about 3/64").

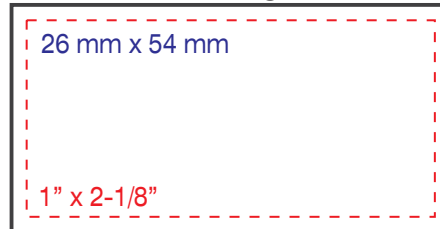
**FL27 through FL35 are new FastLight sizes for 2008.**

The metric (**mm**) sizes are more accurate; inch sizes are rounded to nearest 1/8th inch.

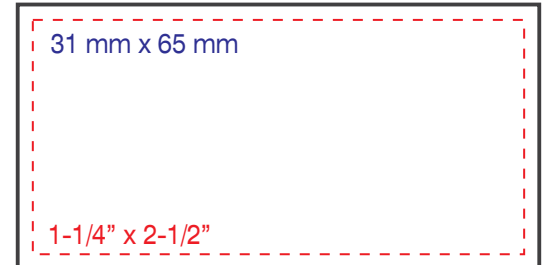
**FL27**



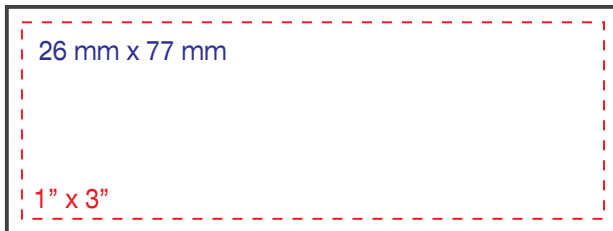
**FL28**



**FL29**



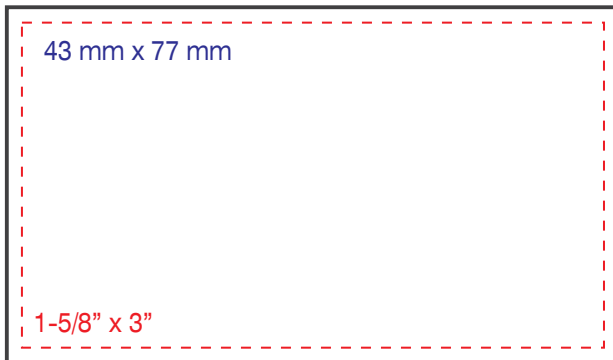
**FL31**



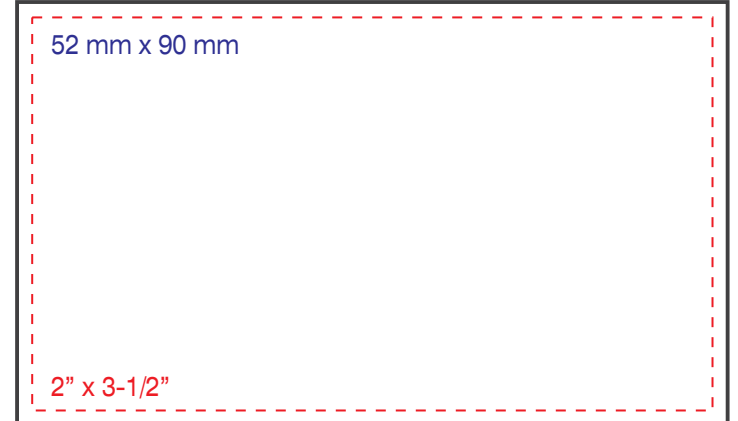
**FL32**



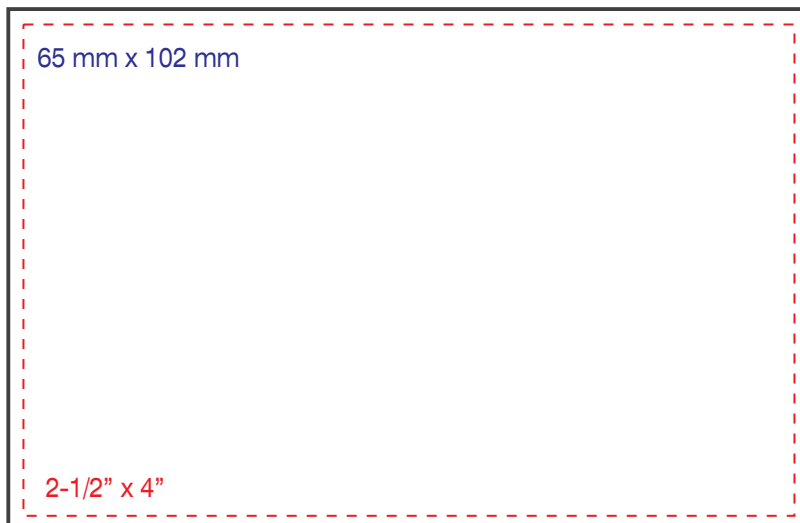
**FL33**



**FL34**



**FL35**



**FL30**

