



FastLight Pre-inked Stamps

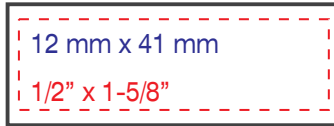
Size Chart # 0-10

Updated:
March, 2016

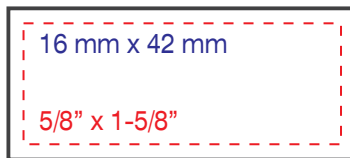


Note: Actual useable area (dotted red border) may be +/- 1 mm (+/- about 3/64") due to slight variations during manufacture such as being off-center or cut slightly short or long. The metric (mm) sizes are more accurate; inch sizes are rounded to nearest 1/8th inch.

FL0



FL1



FL3



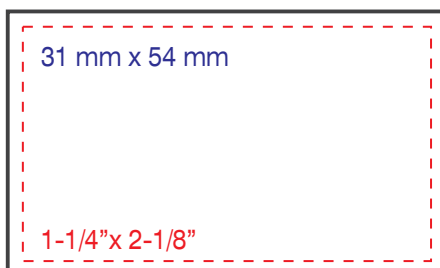
FL5



FL7



FL8



FL2



FL4



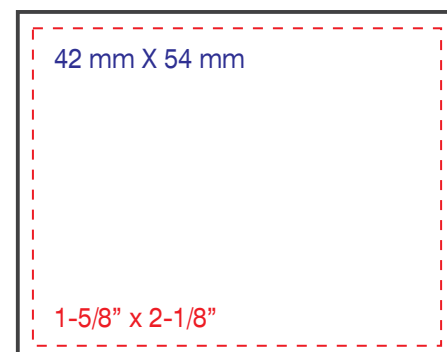
FL6



FL9



FL10





FastLight Pre-inked Stamps

Size Chart # 11-16

Updated:
March, 2016

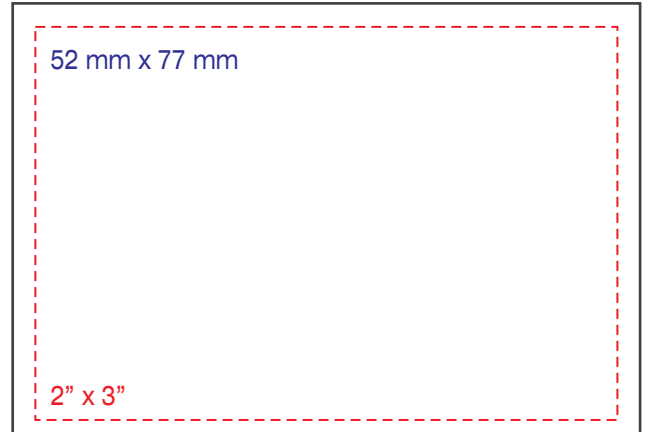


Note: Actual useable area (dotted red border) may be +/- 1 mm (+/- about 3/64") due to slight variations during manufacture such as being off-center or cut slightly short or long. The metric (mm) sizes are more accurate; inch sizes are rounded to nearest 1/8th inch.

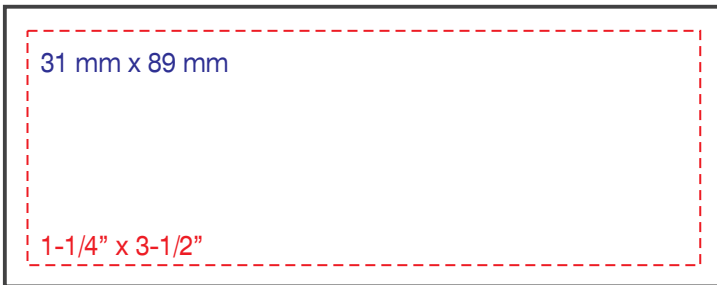
FL-13



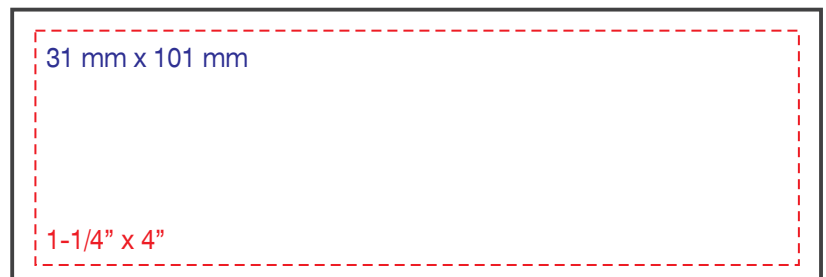
FL-12



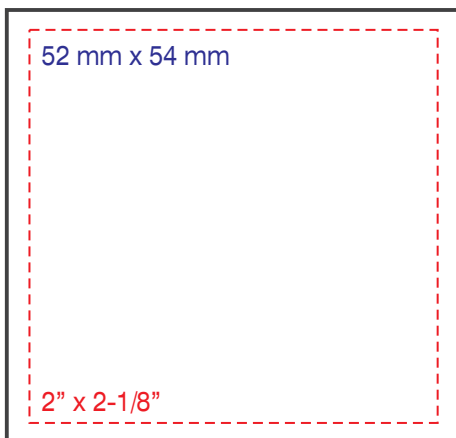
FL-14



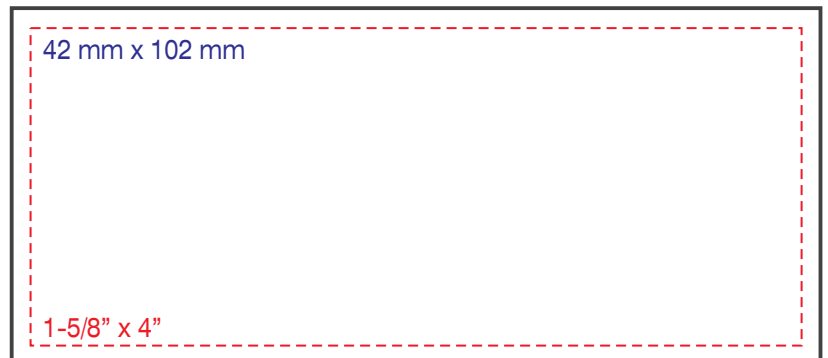
FL-15



FL-11



FL-16





FastLight Pre-inked Stamps

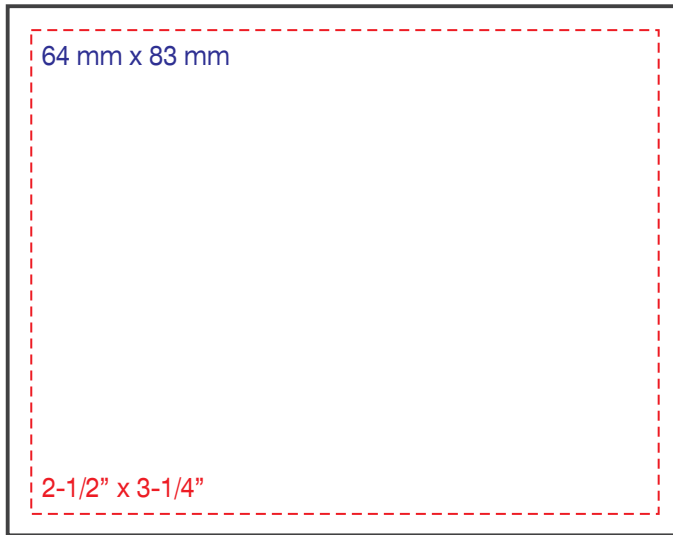
Size Chart # 17-24

Updated:
March, 2016

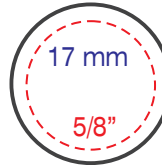


Note: Actual useable area (dotted red border) may be +/- 1 mm (+/- about 3/64").
The metric (mm) sizes are more accurate; inch sizes are rounded to nearest 1/8th inch.

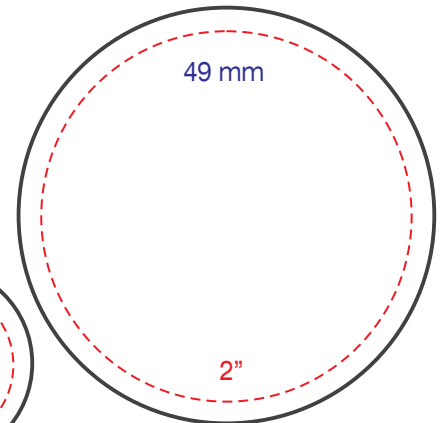
FL-17



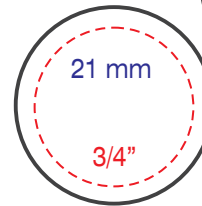
FL-20



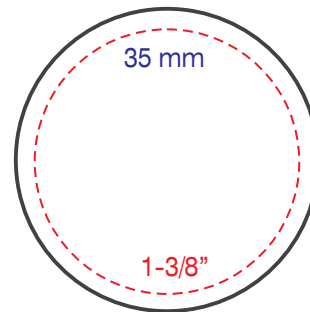
FL-22



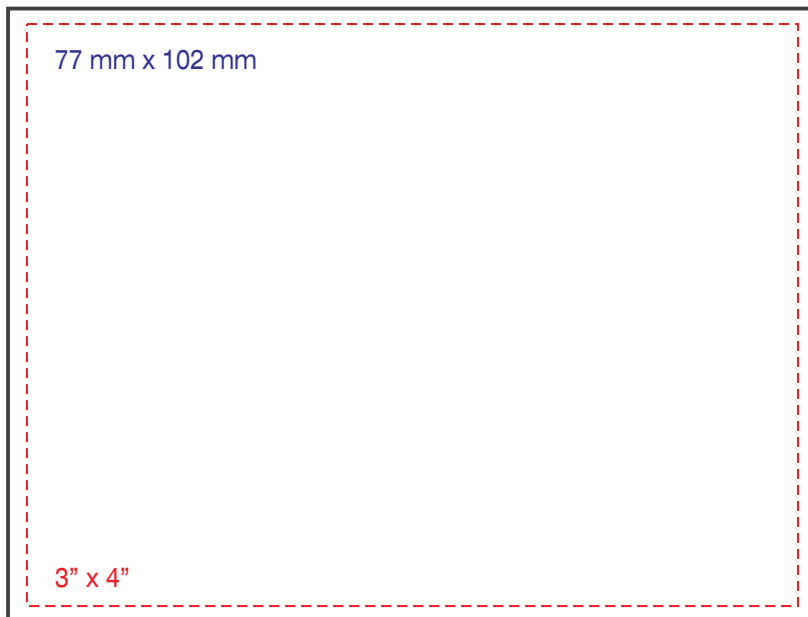
FL-21



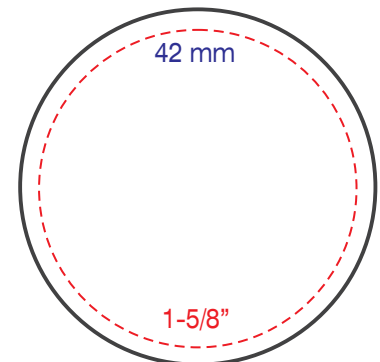
FL-23



FL-18



FL-24





FastLight Pre-inked Stamps

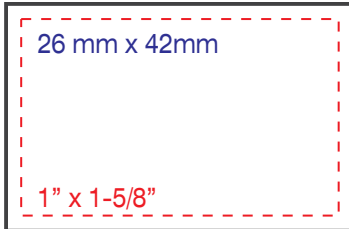
Size Chart # 27-35

Updated:
March, 2016

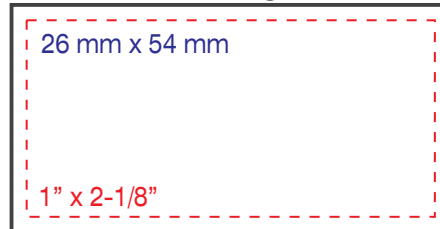


Note: Actual useable area (dotted red border) may be +/- 1 mm (+/- about 3/64").
The metric (mm) sizes are more accurate; inch sizes are rounded to nearest 1/8th inch.

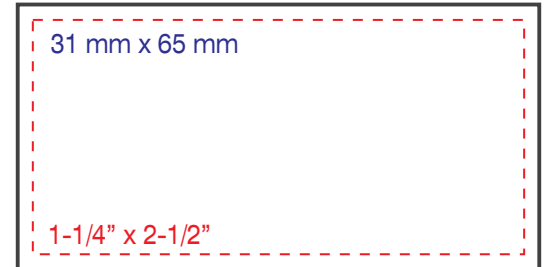
FL27



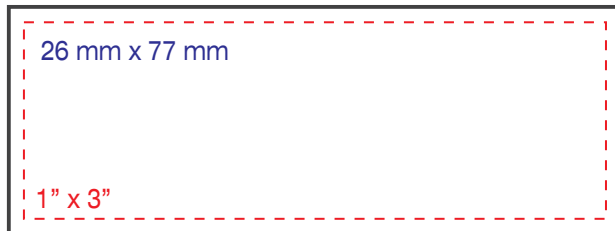
FL28



FL29



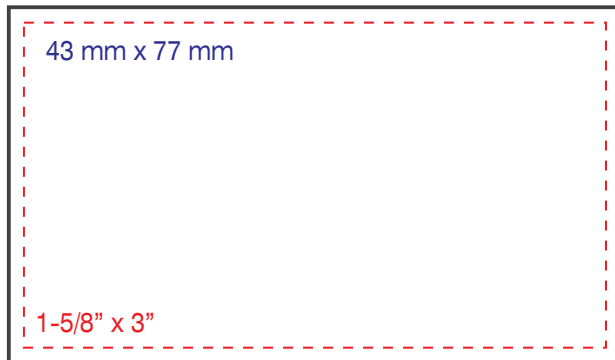
FL31



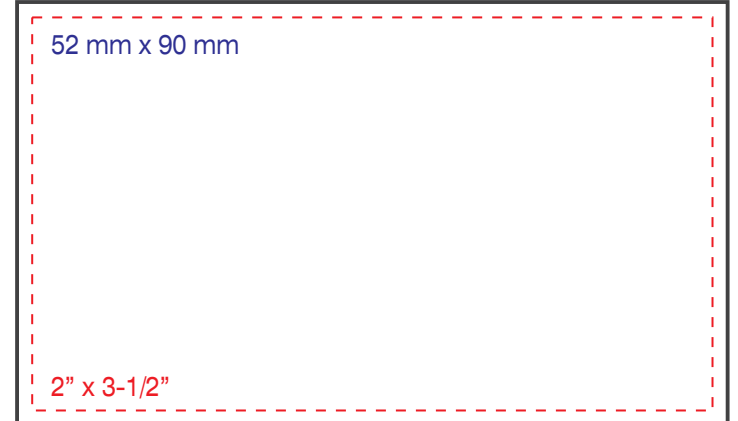
FL32



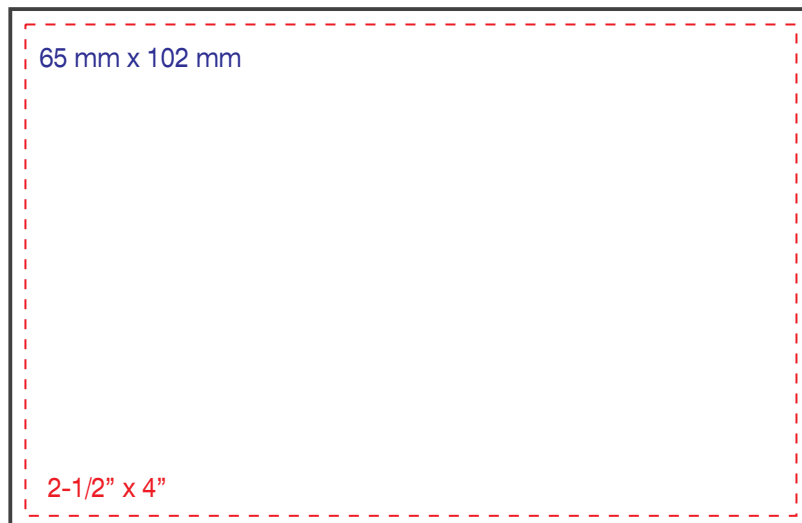
FL33



FL34



FL35



FL30

